

CRYSTAL OSCILLATOR



HUAFENG
CRYSTAL

HPO-02 Series

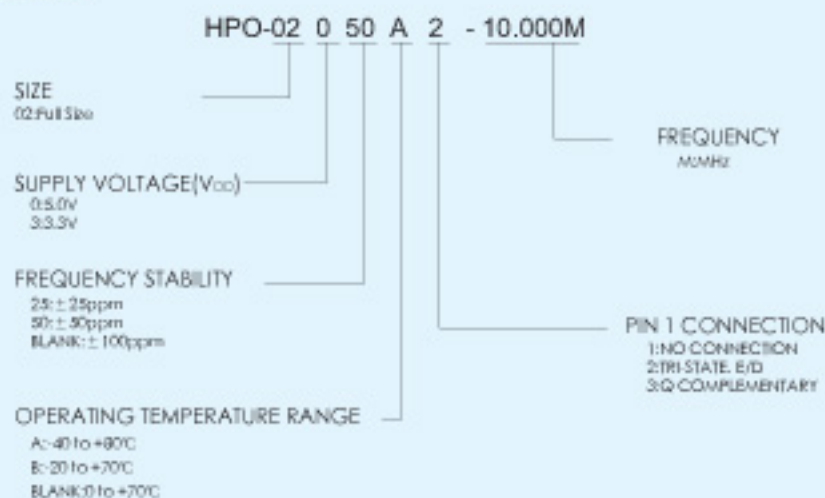
- Positive emitter coupled logic oscillator
 - PECL output
 - 5.0V/3.3V supply voltage
 - 14 pin DIP package
 - Custom lead length options available
 - Wide frequency
 - All-metal welded package
- Complementary output available



■ ELECTRICAL SPECIFICATIONS

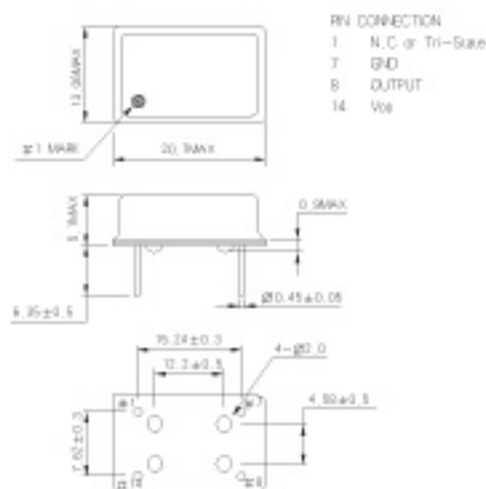
Frequency Range	10.000 to 200.000MHz	
Operating Temperature Range	0 to +70°C or -40 to +85°C	
Storage Temperature Range	-55 to +125°C	
Supply Voltage(V _{cc})	5.0V _{cc} ± 10%	3.3V _{cc} ± 10%
Frequency Tolerance/Stability	± 100, ± 50, ± 25 ppm Max	
Input Current	80mA Max	60MA Max
Load Drive Capability	50	
Output Voltage Logic High(V _{oh})	V _{cc} - 1.02 Max	
Output Voltage Logic Low(V _{ol})	V _{cc} - 1.60 Max	
Duty Cycle	at 50% of Waveform	50 ± 10%(STD) 50 ± 5%(Optional)
Rise / Fall Time	20% to 80% of Waveform	3nsec Max
Aging(at 25°C)	± 5ppm/year Max	
Period Jitter:Absolute	25psec Max	
Period Jitter:One Sigma	4psec Max	

■ PART NUMBERING GUIDE

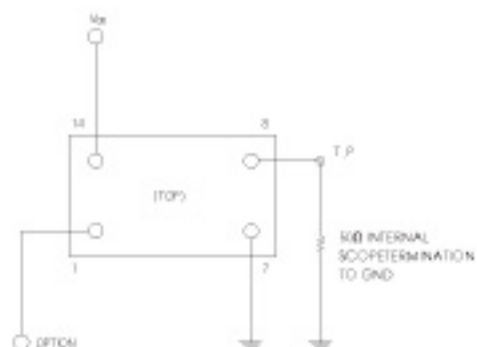


■ MECHANICAL DIMENSIONS

HPO-02



■ TEST CIRCUIT



■ ENVIRONMENTAL / MECHANICAL SPECIFICATIONS

PARAMETER	SPECIFICATIONS
Seal Integrity	Bubble test in Perfluorocarbon at +125°C ± 5°C for 60 seconds minimum.
Solderability	Sn63 Solder dip at +230°C ± 5°C for 5 seconds/95% coverage.
Marking Permanency	10 Stokes with brush after 1 minute soak in solvent, 3 times.
Shock	Random drop on hard wooden plate 3 times from a height of 50cm.
Vibration	Frequency with an amplitude of 1.5mm sweeping between 10Hz to 55Hz within 1 minute (approximately) for 2 hours minimum on each axis [X, Y and Z] for a total of 6 hours.